

Chicago Riverwalk,
USA





HANDRAIL DOT®



HANDRAIL DOT®

- Dot designed to be integrated in new or retrofitted handrails
- Suitable for outdoor: IP66, IK10, and anti-vandalism
- Flat and curved types
- 3 beam angles: 60°, 120° and 90° (asymmetric)
- Luminous efficiency: 100 lm/W
- 316 stainless steel unibody dot
- Polycarbonate lens
- Accessories: Installation tool and M16 Drill jig equipment
- Dot diseñado para integrarse en barandillas y pasamanos nuevos o existentes
- Apto para exteriores: IP66, IK10 y antivandálico
- Modelos planos y curvados
- 3 ángulos de apertura: 60°, 120° y 90° (asimétrico)
- Eficiencia luminosa: 100 lm/W
- Dot monobloque acero inox 316
- Lente de policarbonato
- Accesorios: Herramienta instalación y Kit plantilla mecanizado M16



Flat - 120°



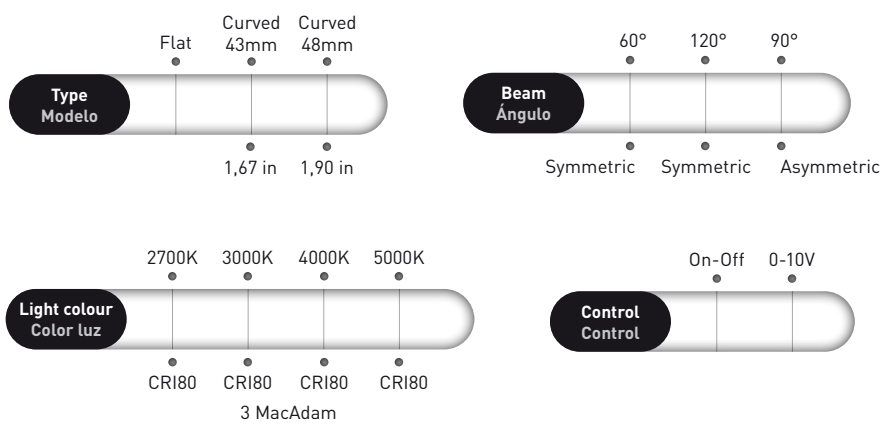
Flat - 60°



Flat - Asym.



Curved - 60°



Minimum wall thickness 1,5mm.
Grosor mínimo de la barandilla 1,5mm.

Suitable for handrails with diameter Ø43 and Ø48 mm.
Apto para barandillas de diámetro 43 y 48mm.

SPECIFICATIONS
CARACTERÍSTICAS

IP66	IK10		on/off	0-10V	INOX 316 Housing	PC Lens	Ta min -20°C -4°F Ta max +50°C +122°F	
------	------	---	--------	-------	------------------------	------------	--	---

Dot Handrail® Flat & Curved				
Power	1,5 W (500mA)			
Color temperatures	2700K	3000K	4000K	5000K
Lumens output	60° - 114 lm 120° - 120 lm 90°(asymmetric) - 108 lm	60° - 120 lm 120° - 126 lm 90°(asymmetric) - 114 lm	60° - 136 lm 120° - 143 lm 90°(asymmetric) - 129 lm	60° - 136 lm 120° - 143 lm 90°(asymmetric) - 129 lm
Luminaire efficiency	72 to 80 lm/W	76 to 84 lm/W	86 to 96 lm/W	86 to 96 lm/W
Measures / Weight	Ø14,7 x 15 mm / 0,1 kg			



Color temperature conform to **ANSI C78.377A**.
Lumens measurement conform to **LM-79-08**.
Lumens maintenance conform to **LM-80-08**.

Temperatura de color según normativa **ANSI C78.377A**.
Medición lumens según normativa **LM-79-08**.
Mantenimiento lumens según normativa **LM-80-08**.

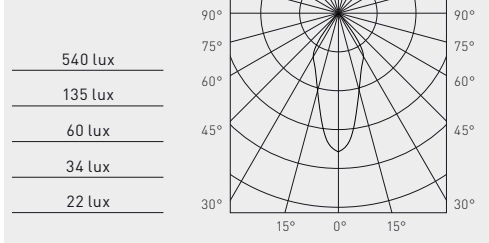
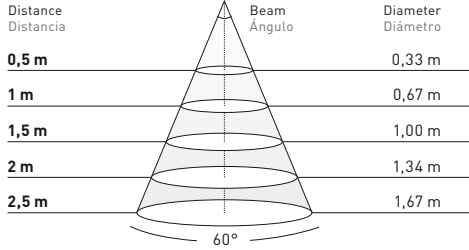
Basilica de la Sagrada Familia,
Barcelona, SPAIN

LIGHT DISTRIBUTION CURVES FOTOMETRÍAS

Handrail Dot®

60°

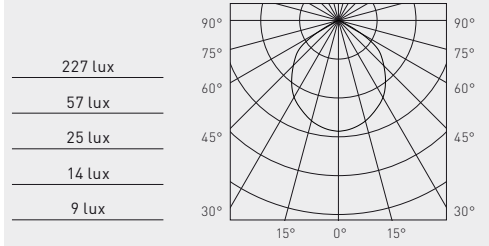
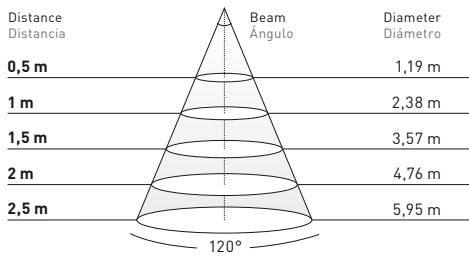
3000K



Handrail Dot®

120°

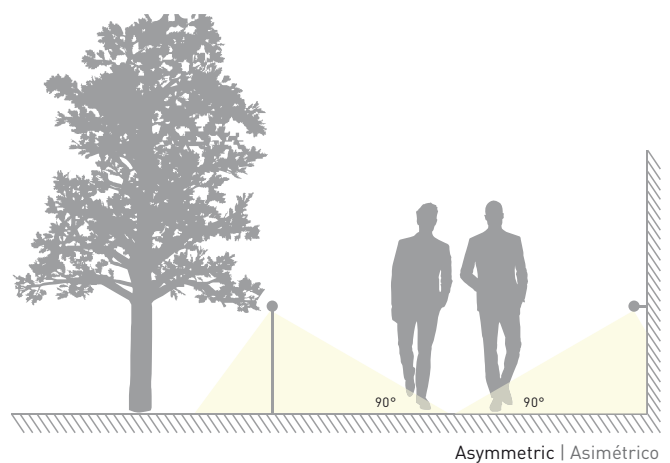
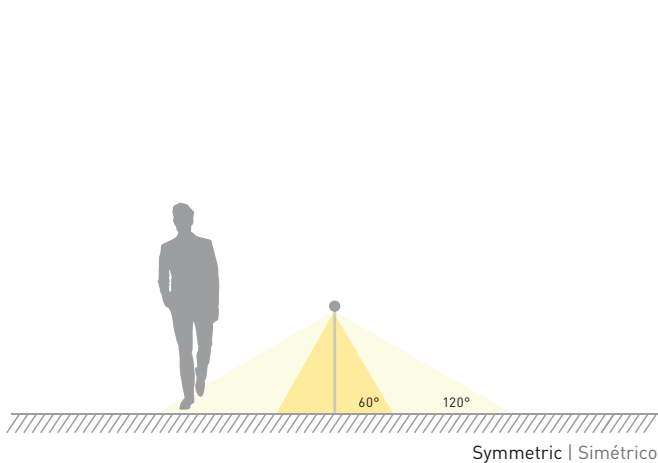
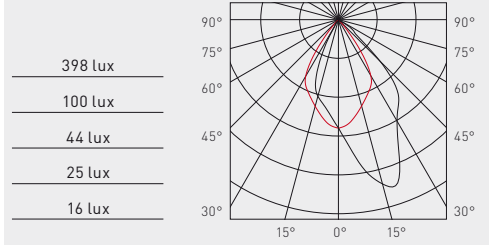
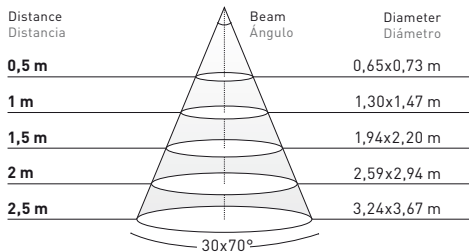
3000K



Handrail Dot® Asym.

90°

5000K

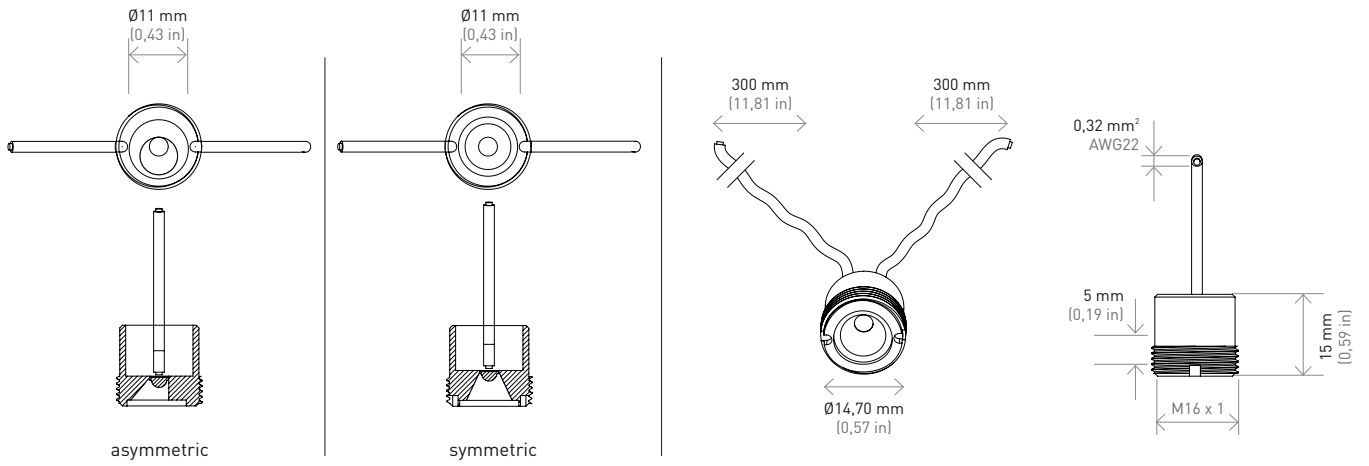


Data calculated with **Handrail Dot®**.
Lumen measurement complies with **UNE-EN 13032 / IES LM-79-08** testing procedures.
Light distribution curves are available at www.mclight.com.
Due to continuous improvements and innovations, specifications may change without notice.

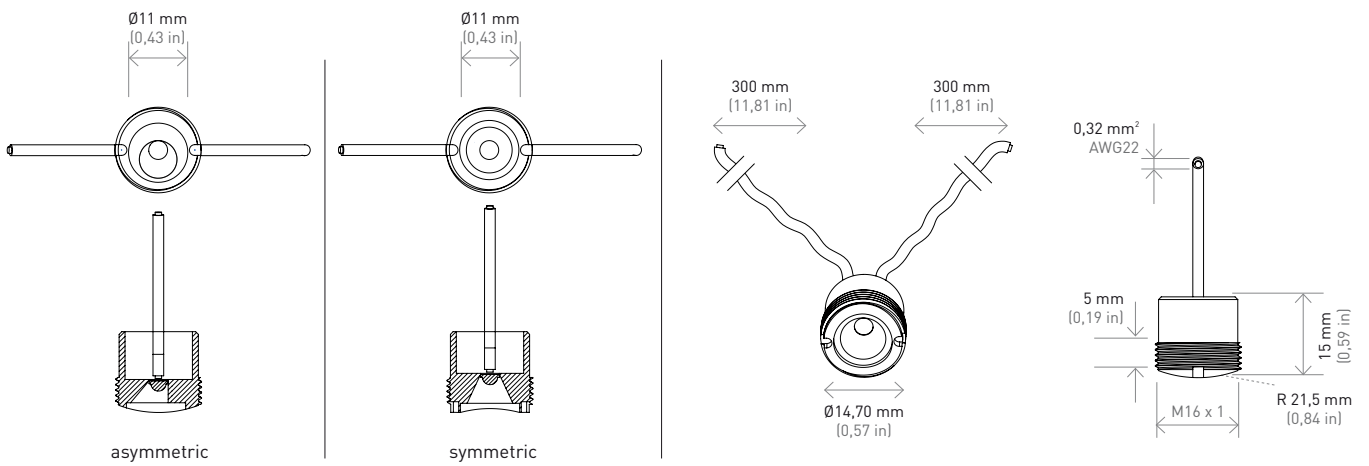
Datos calculados con **Handrail Dot®**.
Ensayado bajo las especificaciones de la norma **UNE-EN 13032 / IES LM-79-08**.
Fotometrías disponibles en www.mclight.com.
Debido a las continuas mejoras e innovaciones, las especificaciones pueden cambiar sin previo aviso.

**MEASURES
MEDIDAS**

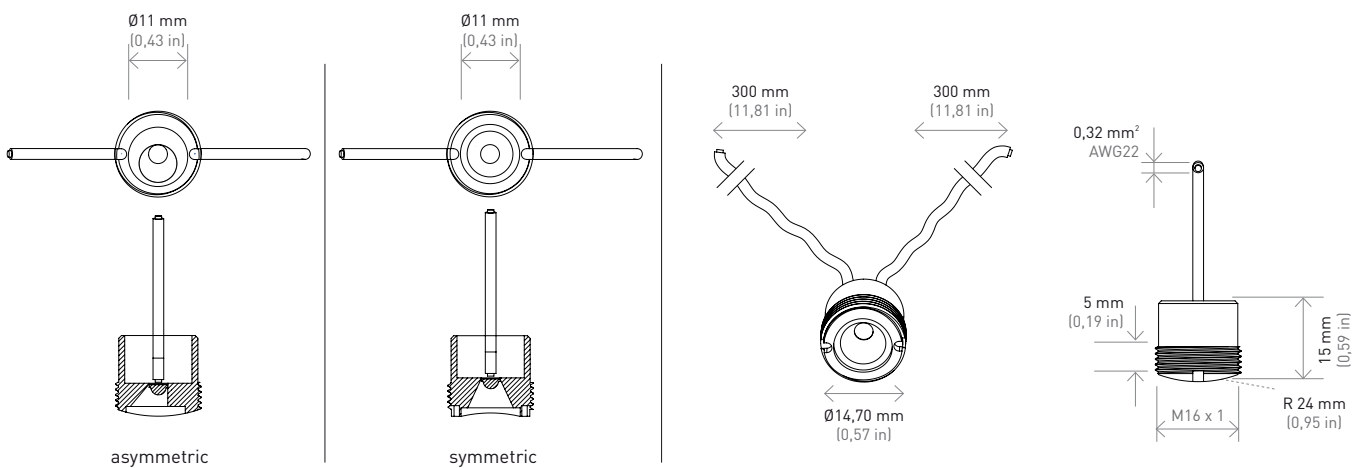
Handrail Dot® Flat



Handrail Dot® Curved 43mm / 1,67 in



Handrail Dot® Curved 48mm / 1,90 in



FINISHES ACABADOS

In order to satisfy all our customers we offer flat and curved types (suitable for handrails with diameter $\varnothing 43$ and $\varnothing 48$ mm).

Con el fin de satisfacer las necesidades de nuestros clientes, están disponibles modelos planos y curvados (aptos para barandillas de diámetro 43 y 48mm).



Symmetric 60° flat model
Modelo plano simétrico 60°



Symmetric 120° flat model
Modelo plano simétrico 120°



Asymmetric 90° flat model
Modelo plano asimétrico 90°

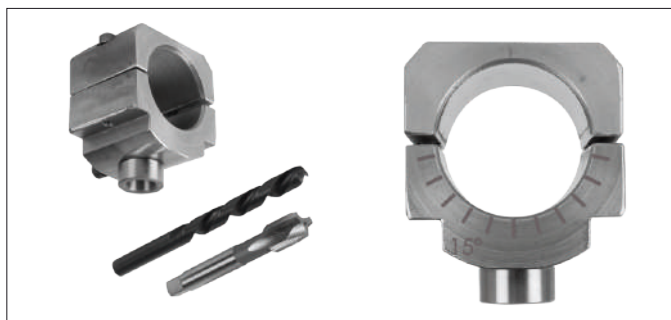


Symmetric 120° 48 mm curved model
Modelo curvado simétrico 120° 48 mm

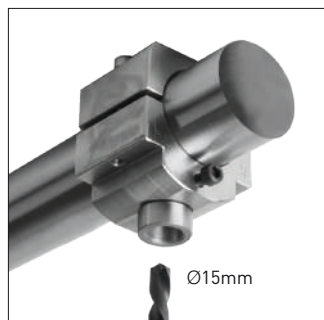


Chicago Riverwalk,
USA

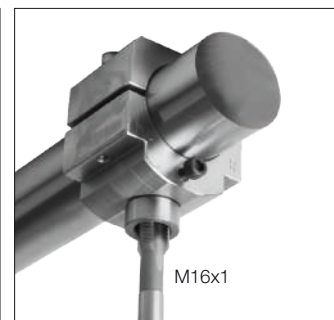
DETAILS
DETALLES



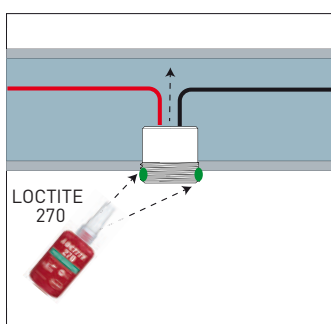
Kit for machining M16x1mm handrail (ref. 7015091)
Kit para mecanizar M16 x1mm handrail (ref. 7015091)



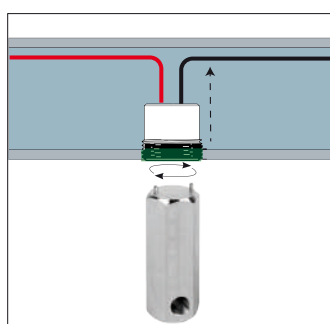
Drill 14.75 Inox (ref. 7015092)
Broca 14,75 inox (ref. 7015092)



Tap male M16x1mm (ref. 7015093)
Macho roscar M16x1mm (ref. 7015093)



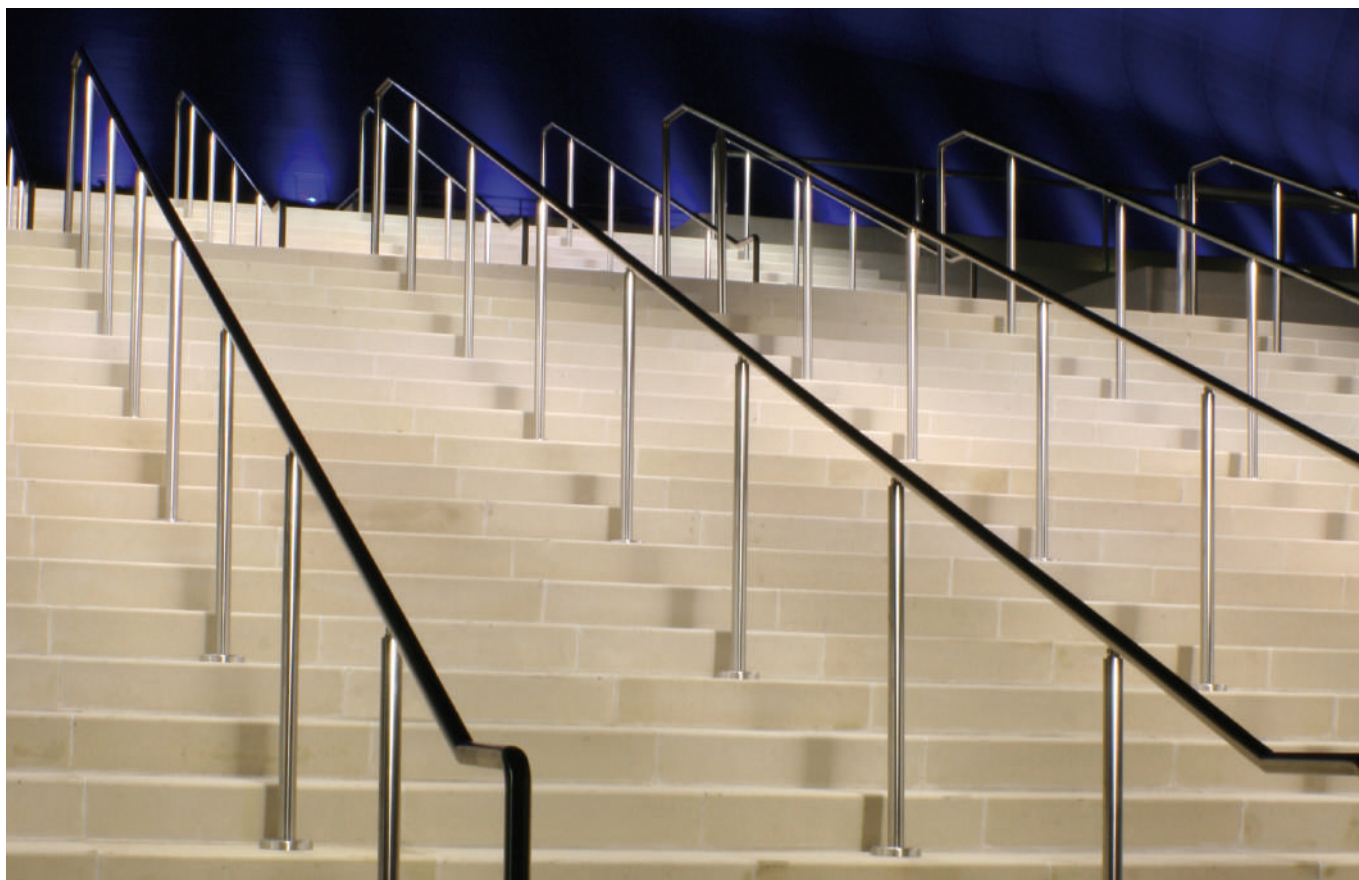
Loctite 270 sealer threads (ref. M020081)
Loctite 270 sellador roscas (ref. M020081)



Tightening tool (ref. 7015090)
Util. de apriete (ref. 7015090)



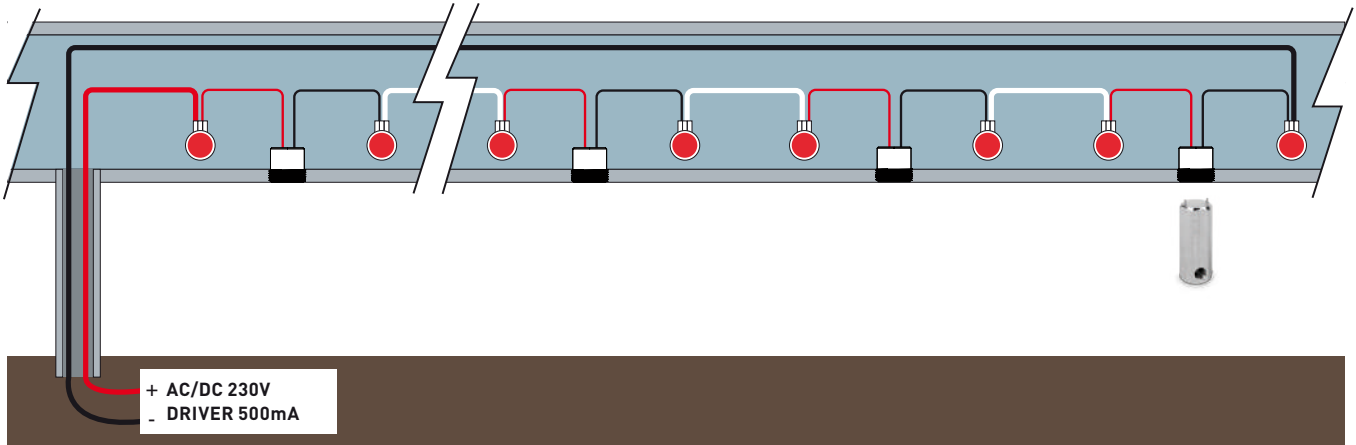
316 stainless steel unibody dot
Dot monobloque acero inox 316



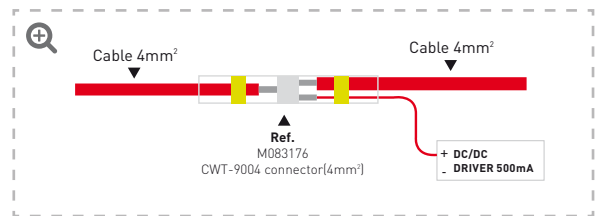
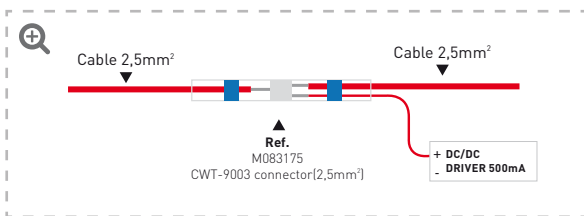
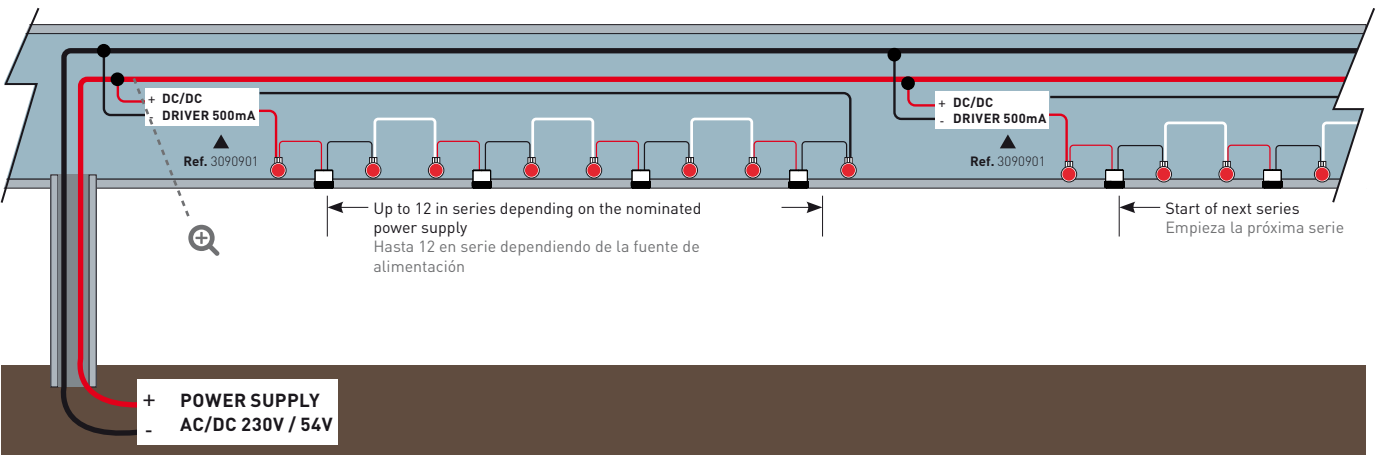
Mercedes Benz Superdome,
New Orleans, USA

CONNECTIONS CONEXIONES

A External driver installation Instalación driver externo



B In-tube driver installation Instalación driver interno



A EXTERNAL DRIVER INSTALLATION INSTALACIÓN DRIVER EXTERNO.

3090911 (Driver)	From 1 up to 16 dots De 1 a 16 dots
3090910 (Driver)	From 5 up to 10 dots De 5 a 10 dots
3090912 (Driver)	From 18 up to 30 dots De 18 a 30 dots
3090913 (Driver)	From 25 up to 50 dots De 25 a 50 dots

B IN-TUBE DRIVER INSTALLATION INSTALACIÓN DRIVER INTERNO

3090536 (Power supply)	Up to 8 series x 12 dots = 96 dots Hasta 8 series x 12 dots = 96 dots
3090537 (Power supply)	Up to 13 series x 12 dots = 156 dots Hasta 13 series x 12 dots = 156 dots
3090901 (Driver)	From 1 up to 12 dots De 1 a 12 dots

REFERENCES
REFERENCIAS

70150 X X /XX/XXX

COLOUR COLOR

- /80/2K7 2700K
- /80/3K 3000K
- /80/4K 4000K
- /80/5K 5000K

ANGLE ÁNGULO

- 1 60°
- 2 120°
- 5 90 Asymmetric

TYPE MODELO

- 0 Flat
- 1 Curved 43 mm
- 2 Curved 48 mm

 To control the luminaires via Bluetooth see page 312
Para controlar las luminarias via Bluetooth consultar página 312

DRIVERS REFERENCES AND POWER SUPPLY
REFERENCIAS DRIVERS Y FUENTE ALIMENTACIÓN



A - External driver installation Instalación driver externo			
3090911	IP68 Driver 500 mA 30W (2V-49V) On/Off, DALI	From 1 up to 16 dots De 1 a 16 dots	
3090910	IP67 Driver 500 mA 16W (15V-32V) On/Off, 0-10V	From 5 up to 10 dots De 5 a 10 dots	1
3090912	IP67 Driver 500 mA 45W (54V-90V) On/Off, 0-10V	From 18 up to 30 dots De 18 a 30 dots	2
3090913	IP67 Driver 500 mA 75W (75V-150V) On/Off	From 25 up to 50 dots De 25 a 50 dots	3

B - In-tube driver installation Instalación driver interno			
3090536	IP67 Power Supply 150W (54V DC) On/Off	Up to 8 series x 12 dots= 96 dots Hasta 8 series x 12 dots = 96 dots	4
3090537	IP67 Power Supply 240W (54V DC) On/Off	Up to 13 series x 12 dots= 156 dots Hasta 13 series x 12 dots = 156 dots	5
3090901	IP67 Driver 500 mA 18W (Input 9V-56V DC) On/Off	From 1 up to 12 dots De 1 a 12 dots	6

ACCESORIES REFERENCES
REFERENCIAS ACCESORIOS



M083025	UR2 3M end piece connector (0,5mm ²)	Conector - Terminal UR2 ·3M (0,5mm ²)	1
M083175	CWT-9003 connector (2,5mm ²)	Conector CWT-9003 (2,5mm ²)	2
M083176	CWT-9004 connector (4mm ²)	Conector CWT-9004 (4mm ²)	3
7015090	Tightening tool	Útil de apriete	4
7015091	Kit for machining M16x1mm handrail	Kit para mecanizar M16 x1mm hand rail	5
7015092	Spare special drill 14.75 Inox handrail mechanized kit	Recambio broca especial 14,75 inox kit mecanizado hand rail	6
7015093	Spare tap male M16x1 din 374 M2D handrail mechanized kit	Recambio macho roscar M16x1 din 374 M2D kit mecanizado handrail	7
M020081	Loctite 270 sealer threads 33 nm green	Loctite 270 sellador roscas 33 nm verde	8